

# LEXOR

A division of customDesignTechnologies Ltd

www.customDesignTechnologies.com

Tel: +44 (0)1280 845530 Fax: +44 (0)1280 706900 e-mail: enquiries@lexor.co.uk

Unit B, Nigel Court, Ward Road, Buckingham Road Industrial Estate, Brackley, NN13 7LF, United Kingdom

## Dual-In-Line Tapped Delay Network "Dipline" 4 Pin Series U Surface Mount

### Basic Specification

Delay Range ----- 1 nS to 200 nS  $\pm 5\%$   
Impedance Range -----  $50\Omega$  to  $500\Omega$   $\pm 10\%$   
Number of Sections ----- 1 discrete L.C., phase-corrected, cascadable  
Rise-time ----- Equal to delay of module +20%, -10%  
Distortion -----  $\pm 10\%$  average  
Attenuation ----- 0.2dB Max.  
Working Voltage ----- 50V  
Temperature Coefficient of Delay ---  $\pm 200$  p.p.m./ $^{\circ}\text{C}$  Max  
Operating Temperature Range -----  $-20^{\circ}\text{C}$  to  $+125^{\circ}\text{C}$   
Encapsulation ----- Flame Retardant Epoxy Resin

### Selection Table

Delay time,nS	50 $\Omega$	75 $\Omega$	100 $\Omega$	200 $\Omega$	500 $\Omega$
1	-	-	-	065	-
2	-	-	-	066	-
4	-	041	053	067	022
5	027	015	054	068	001
10	028	016	018	069	002
20	029	017	055	070	003
30	030	042	056	071	004
40	031	043	057	072	005
50	032	044	058	073	006
60	-	045	059	074	007
70	-	046	060	075	008
80	-	-	061	076	009
90	-	-	062	077	010
100	-	-	063	078	011
200	-	-	-	079	012

# LEXOR

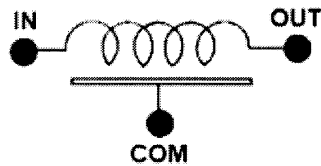
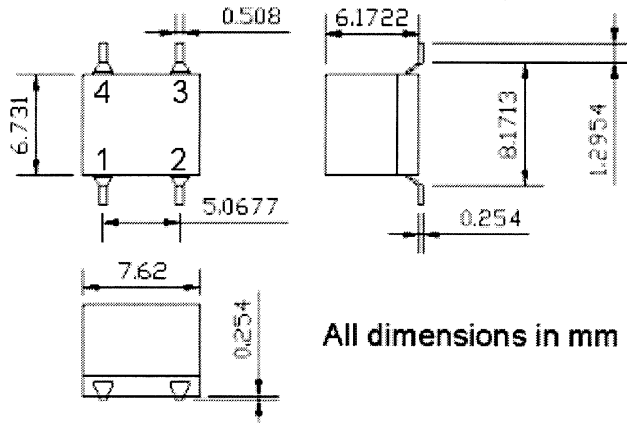
A division of customDesignTechnologies Ltd

www.customDesignTechnologies.com

Tel: +44 (0)1280 845530 Fax: +44 (0)1280 706900 e-mail: enquiries@lexor.co.uk

Unit B, Nigel Court, Ward Road, Buckingham Road Industrial Estate, Brackley, NN13 7LF, United Kingdom

## Dual-In-Line Tapped Delay Network "Dipline" 4 Pin Series U Surface Mount



ORDER CODE	Input	Output	Ground
AU	1	2	3
BU	1	3	2
CU	1	4	2
DU	2	1	3
EU	3	1	4
FU	4	1	3

Example; A Dipline 4 Pin Series, input pin A, output pin B, 50nS delay, 200Ω Impedance, is ordered as AU073G.