

LEXOR

A division of customDesignTechnologies Ltd

www.customDesignTechnologies.com

Tel: +44 (0)1280 845530 Fax: +44 (0)1280 706900 e-mail: enquiries@lexor.co.uk

Unit B, Nigel Court, Ward Road, Buckingham Road Industrial Estate, Brackley, NN13 7LF, United Kingdom

VE Series

Dual-In-Line Delay Networks for Video Applications. Fixed Delay

This series of passive, equalised Delay Lines has been specifically designed for professional video applications. They are mutually compatible and meet or exceed the specifications used for use in PAL Colour Television Systems.

Impedance -----	75Ω
Delay (Td) -----	see table
Tolerance on Delay -----	Td ≥ 50nS +0,-1.4%
	Td 20nS - 50nS +0,-4%
	Td ≤ 20nS +0,-2%
Return Loss -----	Better than -28dB w.r.t. 75Ω
Ripple -----	< 0.1dB, 15KHz to 5.5MHz
Frequency Response -----	±0.1dB to 5.5MHz
Group Delay -----	±5nS Max
K (2-T) -----	0.5% Max
Working Voltage -----	30V
Temperature Coefficient of Delay -----	±100 p.p.m/°C
Operating Temperature Range -----	-20°C to +80°C

Device	Total Delay, nS	Case	Input pin	Output pin(s)	GND
VE1A 0050	50	14 pin 0.3"	14	8,10	1-7
VE1A 0075	75	14 pin 0.3"	14	8,10	1-7
VE1A 0110	110	14 pin 0.3"	14	8,10	1-7
VE1A 0160	160	14 pin 0.3"	14	8,10	1-7
VE1A 0200	200	14 pin 0.3"	14	8,10	1-7
VE3A 0160	160	24 pin 0.6"	24	13,20	1-12
VE3A 0200	200	24 pin 0.6"	24	13,20	1-12
VE3A 0300	300	24 pin 0.6"	24	13,20	1-12
VE3A 0400	400	24 pin 0.6"	24	13,20	1-12
VE3A 0500	500	24 pin 0.6"	24	13,20	1-12
VE3C 0160	160	24 pin 0.6"	24	23	1-12
VE3C 0200	200	24 pin 0.6"	24	23	1-12
VE3C 0300	300	24 pin 0.6"	24	23	1-12
VE3C 0400	400	24 pin 0.6"	24	23	1-12
VE3C 0500	500	24 pin 0.6"	24	23	1-12
VE4A 0300	300	36 pin 0.6"	36	19,32	1-18
VE4A 0400	400	36 pin 0.6"	36	19,32	1-18
VE4A 0500	500	36 pin 0.6"	36	19,32	1-18
VE4A 1000	1000	36 pin 0.6"	36	19,32	1-18
VE4C 0300	300	36 pin 0.6"	30	29	1-18
VE4C 0400	400	36 pin 0.6"	30	29	1-18
VE4C 0500	500	36 pin 0.6"	30	29	1-18
VE4C 1000	1000	36 pin 0.6"	30	29	1-18
VE6C 0030	30	16 pin 0.6"	16	15	1-18
VE6C 0040	40	16 pin 0.6"	16	15	1-18
VE6C 0050	50	16 pin 0.6"	16	15	1-18
VE6C 0060	60	16 pin 0.6"	16	15	1-18
VE6C 0070	70	16 pin 0.6"	16	15	1-18
VE6C 0100	100	16 pin 0.6"	16	15	1-18
VE7A 0400	400	28 pin 0.3"	28	15,24	1-14

LEXOR

A division of customDesignTechnologies Ltd

www.customDesignTechnologies.com

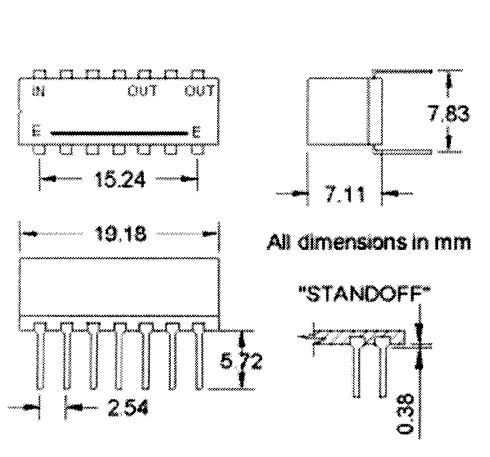
Tel: +44 (0)1280 845530 Fax: +44 (0)1280 706900 e-mail: enquiries@lexor.co.uk

Unit B, Nigel Court, Ward Road, Buckingham Road Industrial Estate, Brackley, NN13 7LF, United Kingdom

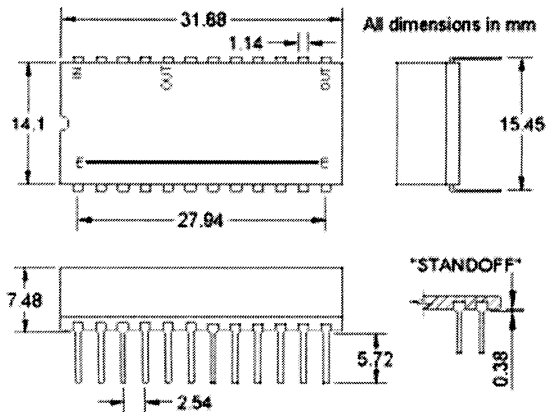
VE Series

Dual-In-Line Delay Networks for Video Applications. Fixed Delay

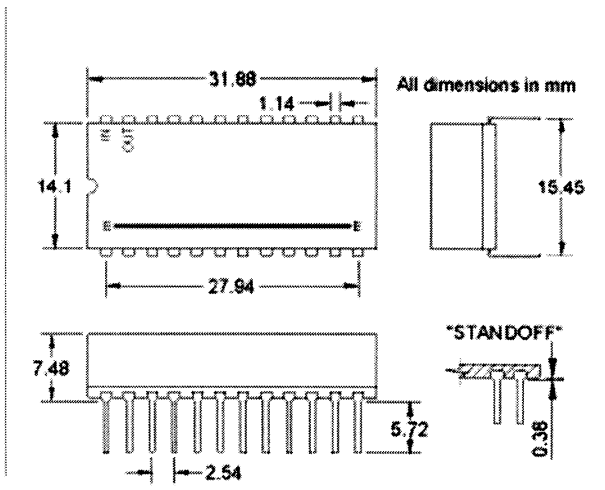
VE1A



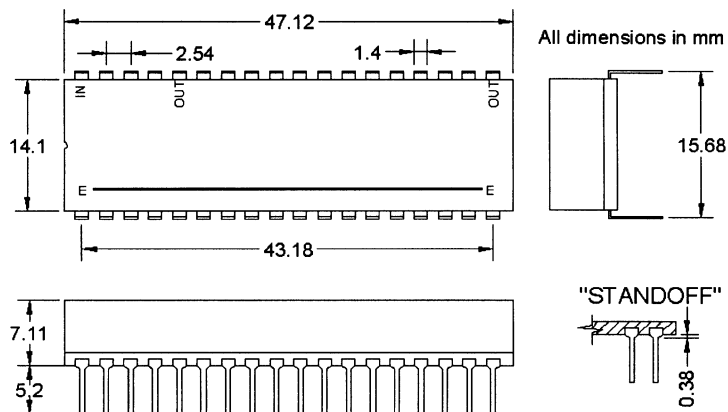
VE3A



VE3C



VE6A



LEXOR

A division of customDesignTechnologies Ltd

www.customDesignTechnologies.com

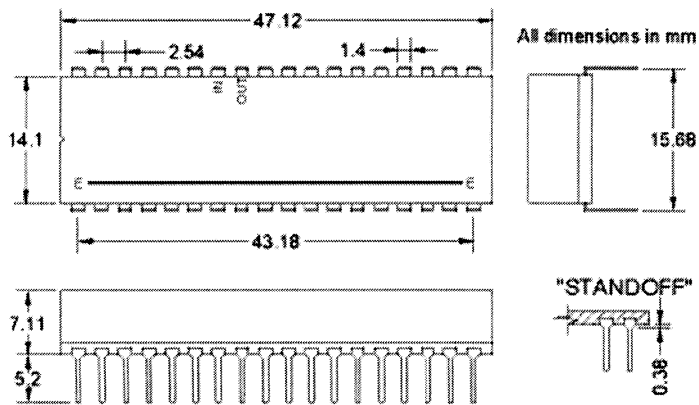
Tel: +44 (0)1280 845530 Fax: +44 (0)1280 706900 e-mail: enquiries@lexor.co.uk

Unit B, Nigel Court, Ward Road, Buckingham Road Industrial Estate, Brackley, NN13 7LF, United Kingdom

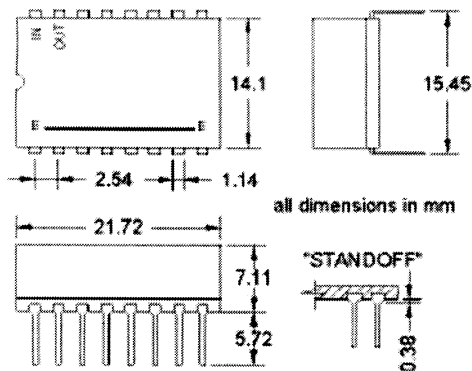
VE Series

Dual-In-Line Delay Networks for Video Applications. Fixed Delay

VE4C



VE6A



VE7A

